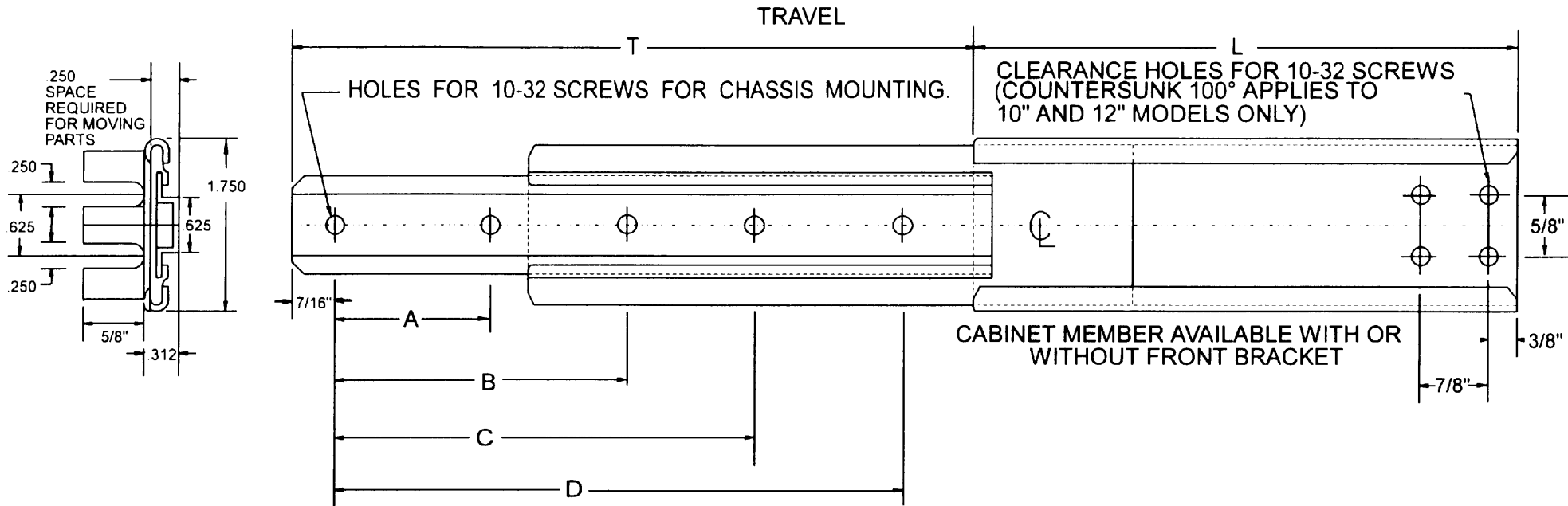


SLIM-TRACK 3-SECTION SOLID-BEARING SLIDE MODEL: GST



NOTES:

ALL HARDWARE: STAINLESS STEEL OR ZINC PLATED.
 FINISH: MOLYBDENUM DISULPHIDE, PERMANENT DRY LUBRICANT.
 BAKED ON AT 400° PER MIL-L-25504 OVER PHOSPHATE COATING PER MIL-P-16232, TYPE M. NEVER NEEDS LUBRICATION.
 MATERIAL: PRIME, HARD COLD ROLLED STEEL.
 ALL PARTS BUILT TO MILITARY SPECIFICATIONS.
 LOAD CAPACITY TO 100° LBS. IN EXTENDED POSITION.
 SOLID BEARING. SUPERIOR PERFORMANCE AGAINST HIGH SHOCK AND VIBRATION.
 CHOICE OF POSITIVE LOCKING IN BOTH DIRECTIONS IN EXTENDED POSITION, OR STOP-OUT ONLY, WHICH ALLOWS EASY ENTRY OF CHASSIS INTO CABINET WITHOUT MANIPULATION OF CATCHES.
 SLIDES SHIPPED WITH 2" STANDARD REAR MOUNTING BRACKETS. IF SPECIFIED, ANY OF THE FOLLOWING SIZE REAR MOUNTING BRACKETS WILL BE SHIPPED WITH SLIDES: 4", 6", 8", 10" or 12".
 *LOAD RATINGS ARE BASED ON A PAIR OF 18" SLIDES WITH STANDARD EXTENSION MOUNTING HOLE AND SLOT LOCATION TOLERANCE

When ordering, please specify feature(s) needed: e.g.
 GST-20 PL (Positive locking when extended).
 GST-20 SO (Stop-out only)
 -FD Fast (Fast disconnect).

SLIDE DIMENSIONS

MODEL	L	T	A	B	C	D
GST-10	10	11	3.12	6.25		
GST-12	12	13	3.75	7.50		
GST-14	14	15	4.37	8.75		
GST-16	16	17	5.00	10.00		
GST-18	18	19	5.62	11.25		
GST-20	20	21	6.25	12.50	9.375	12.500
GST-22	22	23	6.875	13.75	10.625	13.750
GST-24	24	25	7.50	15.00	12.000	15.000
GST-26	26	27	8.125	16.25	13.250	16.250
GST-28	28	29	8.75	17.50	14.500	17.500
GST-30	30	31	9.375	18.75	15.750	18.750



BARNES ENGINEERING COMPANY
 2715 DELTA PLACE
 COLORADO SPRINGS, CO 80910
 TELEPHONE: (719) 390-6500
 FAX: (719) 390-6700
 TOLL FREE: (800) 995-6050